

Z SERIES

User Manual



Systems:

Z 100	Z 100A
Z 120	Z 120A
Z 150	Z 150A
Z 220	Z 220A
Z 250	Z 250A
Z 155	Z 155A
Z S12	Z S12A
Z S15	Z S15A
Z S18	Z S18A



This page has been intentionally left blank

Contents

Contents	3
1. Safety instructions	4
2. System description	5
3.1. Specifications - Technical data	6
3.2. Specifications - Dimensions	9
4.1. System operation - Rigging	12
4.2. System operation - Passive speakers	14
4.3. System operation - Powered speakers	15
5. Standard contents	17
6. Accessories	18



1. Safety instructions



1. Read these instructions carefully.
2. Keep these instructions.
3. Heed all warnings.
4. Follow all instructions.
5. Do not use this system near water.
6. Clean only with dry cloth.
7. Do not block any ventilation openings. Failure to do so may cause fast overheating and force system to switch itself off.
8. Do not use the system near heat sources such as stoves, radiators or other equipment that produces massive heat.
9. Do not use the system near open fire sources.
10. Connect the system only to the electric network with grounding.
11. Protect the power cord from being walked on, pinched, or otherwise damaged.
12. Use only accessories specified by the manufacturer.
13. Use only the cart, stand, tripod or bracket specified by the manufacturer, or sold with the unit. When a cart is used, use caution when moving the cart with unit to avoid injury from tip-over.
14. Unplug this system during lightning storms or when unused for long periods of time.
15. Refer all servicing to qualified service personnel. Servicing is required when the system has been damaged in any way, such as power supply cord or plug is damaged, liquid has been spilled or objects have fallen into the unit, the unit has been exposed to rain or moisture, does not operate normally, or has been dropped.
16. To completely disconnect this system from AC mains, disconnect the power supply cord from the AC receptacle.
17. **WARNING - TO REDUCE THE RISK OF FIRE OR ELECTRIC SHOCK, DO NOT EXPOSE THIS SYSTEM UNIT TO RAIN OR MOISTURE.**
18. The main plug of the power supply cord shall remain readily operable.
19. This system is capable of delivering a significant sound pressure levels. To avoid permanent or temporary hearing damage, prolonged exposure to sound pressure levels exceeding 90 dB should be limited

THIS SYSTEM CONTAINS POTENTIALLY LETHAL VOLTAGES. TO PREVENT ELECTRIC SHOCK OR HAZARD, DO NOT REMOVE AMPLIFIER MODULE OR ITS PARTS. NO USER SERVICEABLE PARTS INSIDE. REFER SERVICING TO QUALIFIED SERVICE PERSONNEL.

MOUNTING AND SUSPENSION OF THIS SYSTEM MUST BE PERFORMED ONLY BY QUALIFIED TRAINED PERSONNEL FOLLOWING APPLICABLE SAFETY RULES. DO NOT ALLOW MOUNTING OR SUSPENSION OF THIS UNIT IF MOUNTING OR SUSPENSION HARDWARE IS BROKEN, BENT, PARTS ARE MISSING OR IS OTHERWISE DAMAGED.

2. System description

Z series is designed for budget small and medium sized indoor spaces. Versatile and reliable loudspeakers with professional sound quality and modern looks, passive and powered Z series speakers are suitable for wide variety of applications. Full-range cabinet's specialized design allows to use them for stage monitoring, thusly greatly improving versatility and possible application ranges of Z series.

Featuring low-wear cabinet coating, high-quality components and thoroughly worked out sonic performance, Z series speakers complete with speaker way beyond their price range.

To achieve such combination of high performance, optimal sound quality and strict budget constraints, Z series systems were carefully optimized, with only highquality and reliability sensitive components left: chipboard cabinets with obligatory birch plywood front panels, reliable Neutrik speakON connectors, MAG Audio transducers and high-frequency drivers known for long-term reliability.

Both passive and powered version are available for all models. Powered cabinets feature bi-amp amplifiers, built-in DSP providing crossover, limiting, equalization, and wireless controls capability for ease of installation and setup.



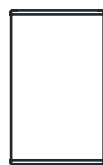
Z 100 Part No. 0023400110
Z 100-4 Part No. 0023400111
Z 100A Part No. 0023400116



Z 120 Part No. 0023400210
Z 120-4 Part No. 0023400211
Z 120A Part No. 0023400216



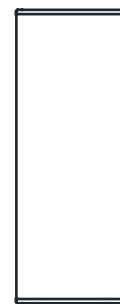
Z 150 Part No. 0023400310
Z 150-4 Part No. 0023400311
Z 150A Part No. 0023400316



Z 220 Part No. 0023400710
Z 220-4 Part No. 0023400711
Z 220A Part No. 0023400716



Z 250 Part No. 0023400810
Z 250-4 Part No. 0023400811
Z 250A Part No. 0023400816



Z 155-4 Part No. 0023400911
Z 155A Part No. 0023400916



Z S12 Part No. 0023400110
Z S12-4 Part No. 0023400111
Z S12A Part No. 0023400116



Z S15 Part No. 0023400210
Z S15-4 Part No. 0023400211
Z S15A Part No. 0023400216



Z S18 Part No. 0023400310
Z S18-4 Part No. 0023400311
Z S18A Part No. 0023400316



3.1. Specifications - Technical data



System	Z 100	Z 120	Z 150
Type	Full-range passive speaker	Full-range passive speaker	Full-range passive speaker
Frequency response (-10dB)	65 – 18000 Hz	60 – 18000 Hz	50 – 18000 Hz
Max SPL (peak)	125 dB (calculated)	126 dB (calculated)	128 dB (calculated)
Sensitivity (1W/1m)	95 dB	96 dB	98 dB
LF Transducer	10"	12"	15"
HF Transducer	1"	1"	1"
Nominal coverage HxV	60° x 40°	60° x 40°	60° x 40°
Impedance	8 Ohm / 4 Ohm	8 Ohm / 4 Ohm	8 Ohm / 4 Ohm
Nominal power (1)	250 W	250 W	250 W
Program power	500 W	500 W	500 W
Peak power	1000 W	1000 W	1000 W
Connectors	2x Neutrik Speakon	2x Neutrik Speakon	2x Neutrik Speakon
Dimensions (WxHxD)	329x532x309 mm	380x602x380 mm	426x692x392 mm
Net weight	16,5 kg	21 kg	25,5 kg
Shipping weight	19,5 kg	24 kg	28,5 kg
Mounting	10x M10 flying points, pole mount adapter	10x M10 flying points, pole mount adapter	10x M10 flying points, pole mount adapter
Enclosure materials	Plywood; MDF; wear-resistant paint	Plywood; MDF; wear-resistant paint	Plywood; MDF; wear-resistant paint
Grill	Steel grill, polymer protective net	Steel grill, polymer protective net	Steel grill, polymer protective net

System	Z 220	Z 250	Z 155
Type	Full-range passive speaker	Full-range passive speaker	Full-range passive speaker
Frequency response (-10dB)	55 – 18000 Hz	50 – 18000 Hz	50 – 18000 Hz
Max SPL (peak)	128 dB (calculated)	130 dB (calculated)	135,5 dB (calculated)
Sensitivity (1W/1m)	96 dB	98 dB	100,5 dB
LF Transducer	12"	15"	2x15"
HF Transducer	1"	1"	1"
Nominal coverage HxV	100° x 50°	100° x 50°	100° x 50°
Impedance	8 Ohm / 4 Ohm	8 Ohm / 4 Ohm	4 Ohm
Nominal power (1)	400 W	400 W	750 W
Program power	800 W	800 W	1500 W
Peak power	1600 W	1600 W	3000 W
Connectors	2x Neutrik Speakon	2x Neutrik Speakon	2x Neutrik Speakon
Dimensions (WxHxD)	348x587x355 mm	426x724x399 mm	425x1110x420 mm
Net weight	17 kg	23 kg	39 kg
Shipping weight	20 kg	26 kg	42 kg
Mounting	10x M10 flying points, pole mount adapter	10x M10 flying points, pole mount adapter	10x M10 flying points
Enclosure materials	Plywood; wear-resistant paint	Plywood; wear-resistant paint	Plywood; MDF; wear-resistant paint
Grill	Steel grill, polymer protective net	Steel grill, polymer protective net	Steel grill, polymer protective net

3.1. Specifications - Technical data

System	Z S12	Z S15	Z S18
Type	Passive subwoofer	Passive subwoofer	Passive subwoofer
Frequency response (-10dB)	50 – 300 Hz	45 – 300 Hz	40 – 300 Hz
Max SPL (peak)	129 dB (calculated)	129,5 dB (calculated)	129,5 dB (calculated)
Sensitivity (1W/1m)	97 dB	97,5 dB	97 dB
LF Transducer	12"	15"	18"
Impedance	8 Ohm / 4 Ohm	8 Ohm / 4 Ohm	8 Ohm / 4 Ohm
Nominal power (1)	400 W	400 W	450 W
Program power	800 W	800 W	900 W
Peak power	1600 W	1600 W	1800 W
Connectors	2x Neutrik Speakon	2x Neutrik Speakon	2x Neutrik Speakon
Dimensions (WxHxD)	372x532x501 mm	465x605x576 mm	552x673x647 mm
Net weight	29 kg	37 kg	42 kg
Shipping weight	32 kg	40 kg	45 kg
Enclosure materials	Plywood; MDF; wear-resistant paint	Plywood; MDF; wear-resistant paint	Plywood; MDF; wear-resistant paint
Grill	Steel grill, polymer protective net	Steel grill, polymer protective net	Steel grill, polymer protective net

System	Z 100A	Z 120A	Z 150A
Type	Full-range powered speaker	Full-range powered speaker	Full-range powered speaker
Frequency response (-10dB)	65 – 18000 Hz	60 – 18000 Hz	50 – 18000 Hz
Max SPL (peak)	125 dB (calculated)	126 dB (calculated)	128 dB (calculated)
LF Transducer	10"	12"	15"
HF Transducer	1"	1"	1"
Nominal coverage HxV	60° x 40°	60° x 40°	60° x 40°
Power	350 W	350 W	350 W
Amplifier	Class D, convection cooling	Class D, convection cooling	Class D, convection cooling
Input sensitivity	0 dBV	0 dBV	0 dBV
input impedance	18 kOhm (unbal), 36 kOhm (bal)	18 kOhm (unbal), 36 kOhm (bal)	18 kOhm (unbal), 36 kOhm (bal)
Connectors	2x XLR	2x XLR	2x XLR
Dimensions (WxHxD)	329x532x309 mm	380x602x380 mm	426x692x392 mm
Net weight	19 kg	23,5 kg	28 kg
Shipping weight	22 kg	26,5 kg	31 kg
Mounting	10x M10 flying points, pole mount adapter	10x M10 flying points, pole mount adapter	10x M10 flying points, pole mount adapter
Enclosure materials	Plywood; MDF; wear-resistant paint	Plywood; MDF; wear-resistant paint	Plywood; MDF; wear-resistant paint
Grill	Steel grill, polymer protective net	Steel grill, polymer protective net	Steel grill, polymer protective net



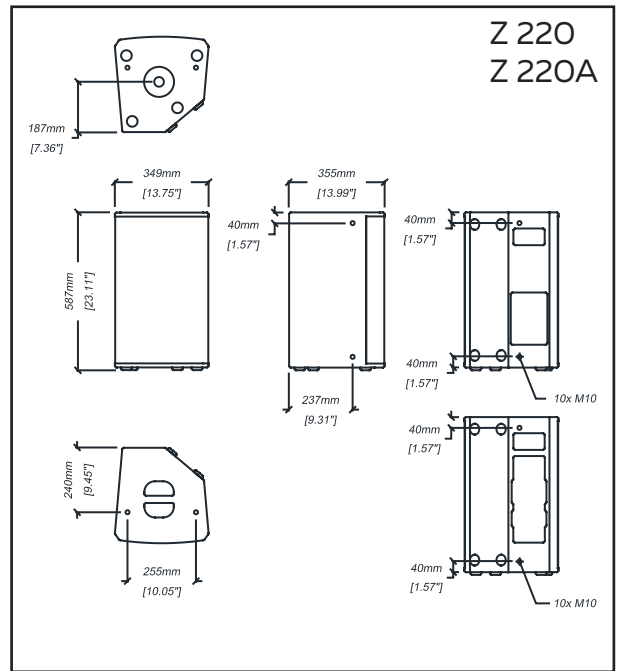
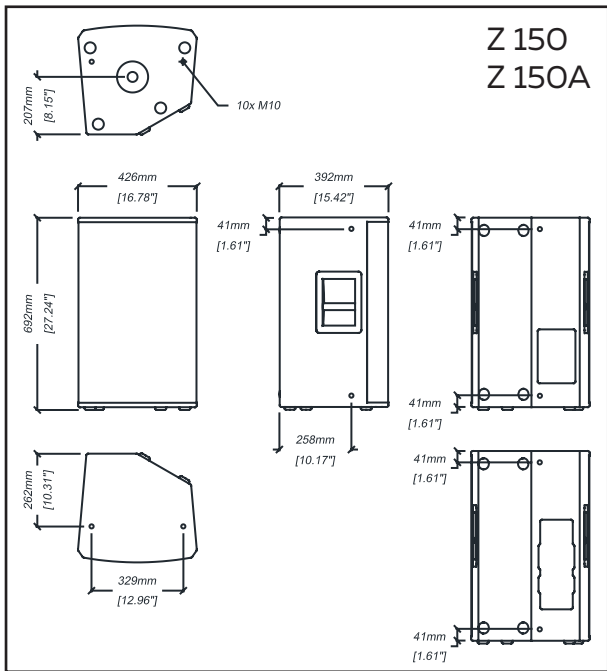
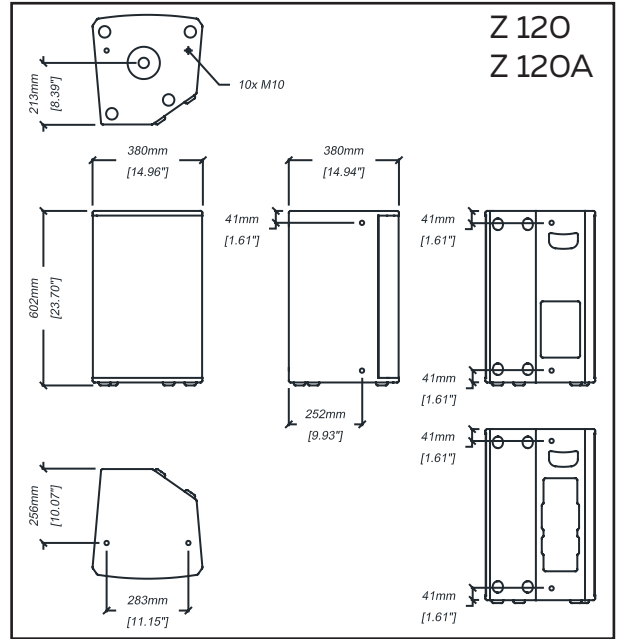
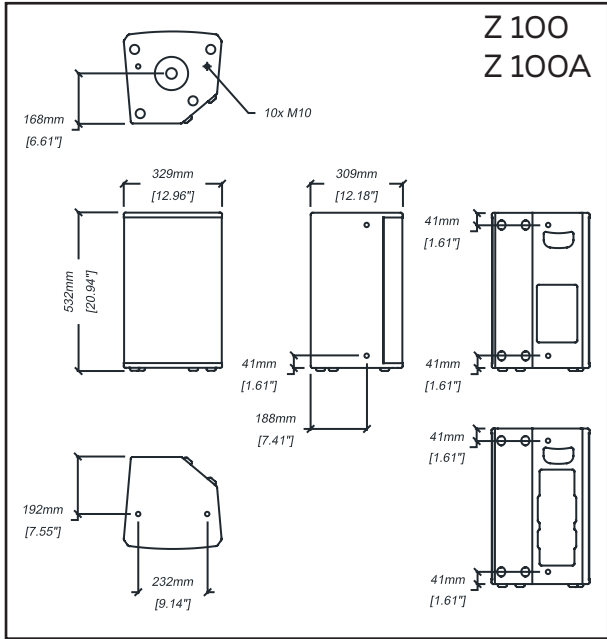
3.1. Specifications - Technical data



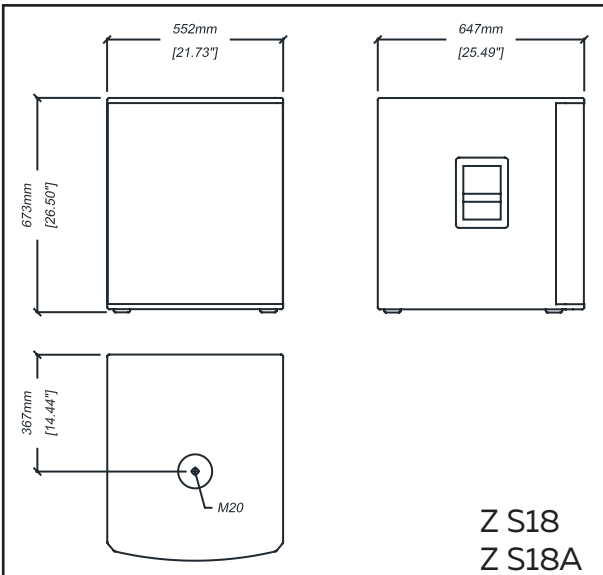
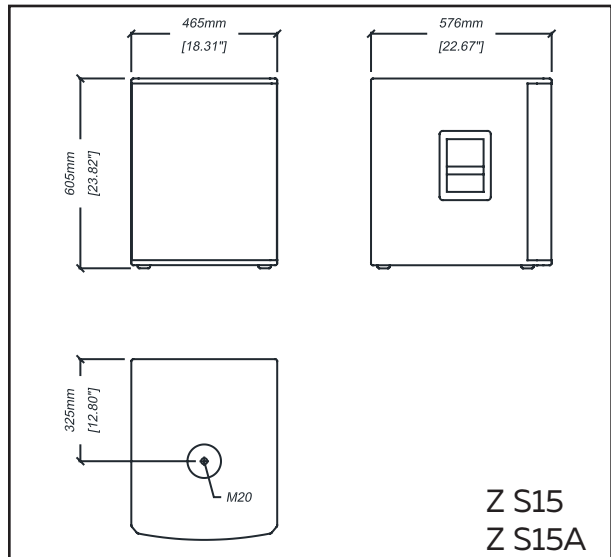
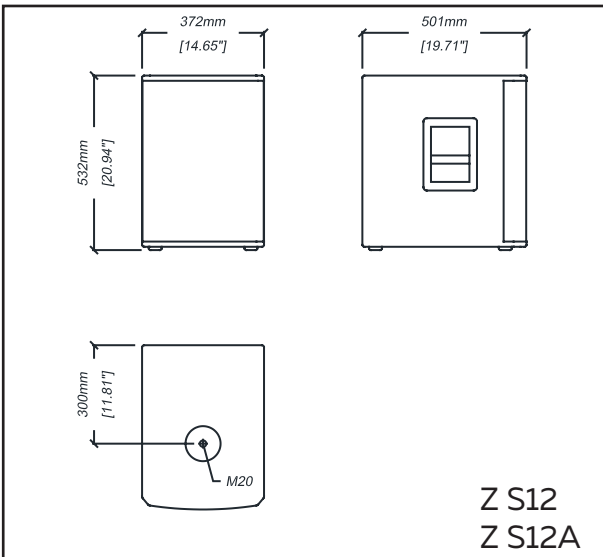
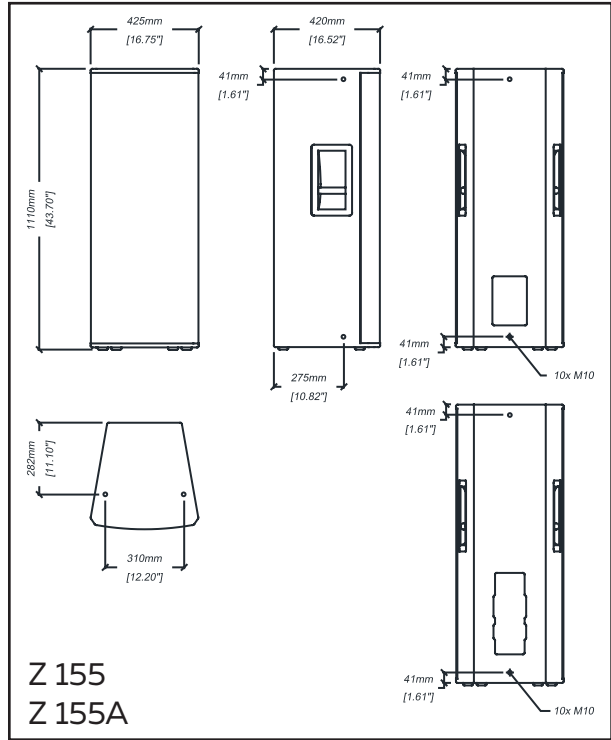
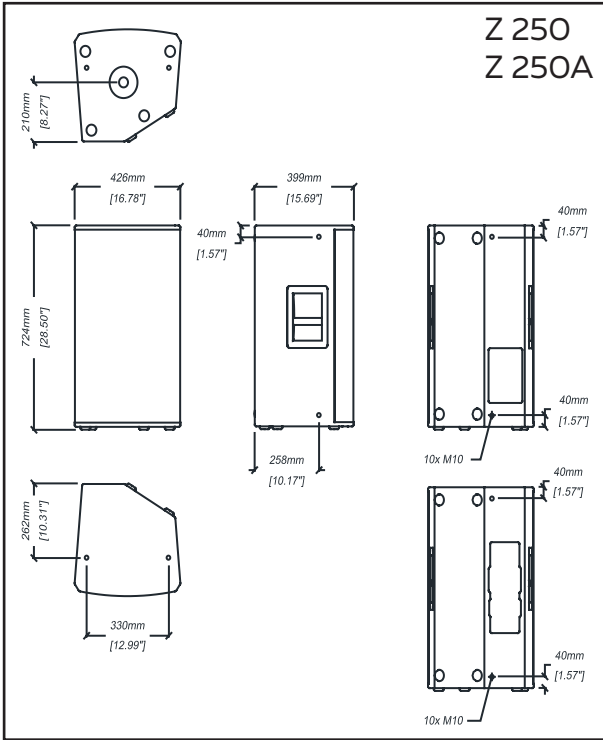
System	Z 220A	Z 250A	Z 155A
Type	Full-range powered speaker	Full-range powered speaker	Full-range powered speaker
Frequency response (-10dB)	55 – 18000 Hz	50 – 18000 Hz	50 – 18000 Hz
Max SPL (peak)	128 dB (calculated)	130 dB (calculated)	135,5 dB (calculated)
LF Transducer	12"	15"	2x15"
HF Transducer	1"	1"	1"
Nominal coverage HxV	100° x 50°	100° x 50°	100° x 50°
Power	600 W	600 W	1000 W
Amplifier	Class D, fan cooling	Class D, convection cooling	Class D, fan cooling
Input sensitivity	0 dBV	0 dBV	0 dBV
input impedance	18 kOhm (unbal), 36 kOhm (bal)	18 kOhm (unbal), 36 kOhm (bal)	18 kOhm (unbal), 36 kOhm (bal)
Connectors	2x XLR	2x XLR	2x XLR
Dimensions (WxHxD)	348x587x355 mm	426x724x399 mm	425x1110x420 mm
Net weight	19,5 kg	25,5 kg	43 kg
Shipping weight	22,5 kg	28,5 kg	46 kg
Mounting	10x M10 flying points, pole mount adapter	10x M10 flying points, pole mount adapter	10x M10 flying points
Enclosure materials	Plywood; wear-resistant paint	Plywood; wear-resistant paint	Plywood; MDF; wear-resistant paint
Grill	Steel grill, polymer protective net	Steel grill, polymer protective net	Steel grill, polymer protective net

System	Z S12A	Z S15A	Z S18A
Type	Powered subwoofer	Powered subwoofer	Powered subwoofer
Frequency response (-10dB)	50 – 300 Hz	45 – 300 Hz	40 – 300 Hz
Max SPL (peak)	129 dB (calculated)	129,5 dB (calculated)	129,5 dB (calculated)
LF Transducer	12"	15"	18"
Power	500 W	500 W	500 W
Amplifier	Class D, convection cooling	Class D, convection cooling	Class D, fan cooling
Input sensitivity	0 dBV	0 dBV	0 dBV
input impedance	18 kOhm (unbal), 36 kOhm (bal)	18 kOhm (unbal), 36 kOhm (bal)	18 kOhm (unbal), 36 kOhm (bal)
Connectors	2x XLR	2x XLR	2x XLR
Dimensions (WxHxD)	372x532x501 mm	465x605x576 mm	552x673x647 mm
Net weight	31,5 kg	39,5 kg	44,5 kg
Shipping weight	34,5 kg	42,5 kg	47,5 kg
Enclosure materials	Plywood; MDF; wear-resistant paint	Plywood; MDF; wear-resistant paint	Plywood; MDF; wear-resistant paint
Grill	Steel grill, polymer protective net	Steel grill, polymer protective net	Steel grill, polymer protective net

3.2. Specifications - Dimensions



3.2. Specifications - Dimensions



info@mag-audio.com
 www.mag-audio.com
 Tel./Fax: +38 044 277-47-89



This page has been intentionally left blank

4.1. System operation - Rigging



Z series systems are equipped with M10 mounting point adapters and pole mount adapters systems for versatile applications.

Rigging must be performed only by trained personnel following the established safety rules.

MAXIMUM WEIGHT RESTRICTIONS MUST BE FOLLOWED AT ALL TIMES!

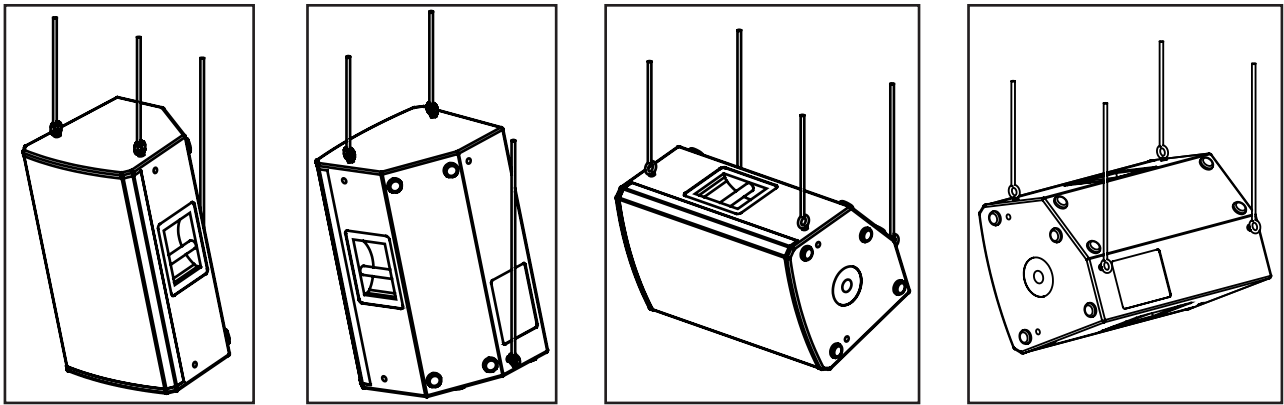
MAKE SURE THE SUPPORT STRUCTURE IS CAPABLE OF HOLDING THE APPLIED WEIGHT WHILE SUSPENDING THE SYSTEM!

Z series systems flying via M10 mounting points

Required accessories:

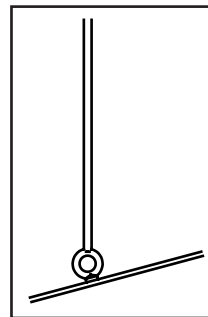
VA-0015 (part No. 0209000006)

Different options are available while flying Z series full-range speakers using integrated M10 flying points.

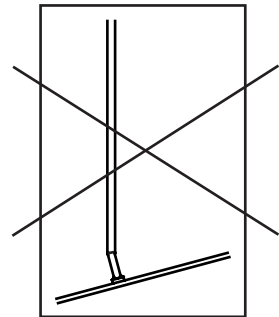


Eye bolt orientation

While flying, applied force must be in the plane of the VA-0015 eyebolt's ring. It is prohibited to arrange the rig in the way that force is at the angle from the eyebolt's ring plane.



Right



Wrong

Z series pole mounting

Accessories:

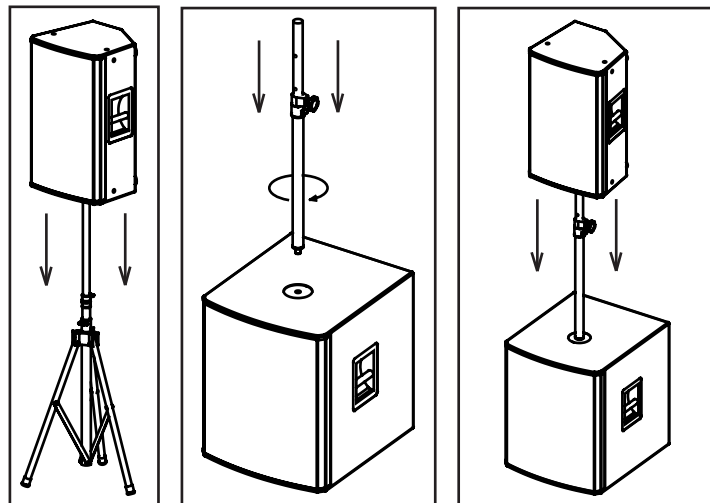
N-BOX-5 (part No. 0209000015)

N-BOX-4 (part No. 0209000016)

SAT-3T (part No. 0209000020)

Z series full range speakers are equipped with pole mount adapter, which allows them to be installed onto standard speaker stands.

Z series subwoofers are equipped with distance pole adapters, which allows to install full-range systems onto subwoofers using standard pole stands.



4.1. System operation - Rigging

Z series systems flying via flying adapter

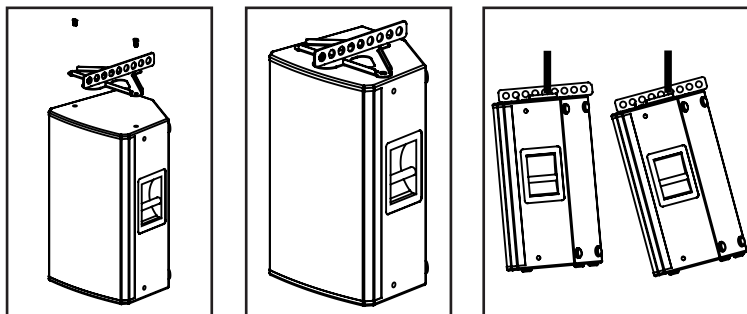
Required accessories:

AZ100 (part No. 0200150003)

AZ150 (part No. 0200150000)

Fast and neat flying of the single Z series' full-range cabinet using flying adapter.

- Secure Z series' cabinet onto the flying adapter using M10 bolts.
- Mount the assembly using the standard 5/8 inch shackle.
- Use different mounting points of flying adapter to choose different tilt angles.



Z series systems mounting via rotating bracket

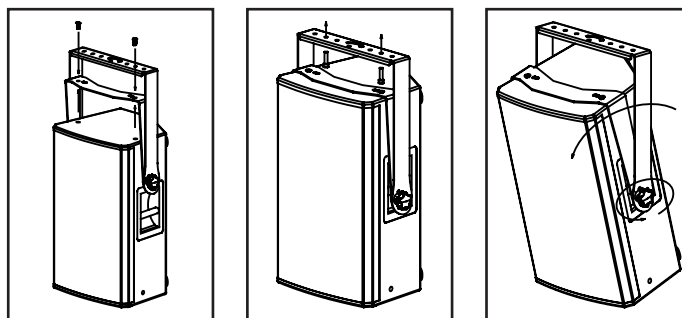
Required accessories:

LZ100 (part No. 0200150004)

LZ150 (part No. 0200150002)

Convenient omnidirectional flying of Z series' full range cabinet with rotating bracket.

- Secure a Z series' cabinet onto the inner half-bracket using M10 bolts.
- Use M10 bolts or threaded rods with nut to secure the outer half-bracket to the support structure.
- Release the wing-nuts and adjust the tilt angle of the speaker.
- Tighten up the wing-nuts firmly.



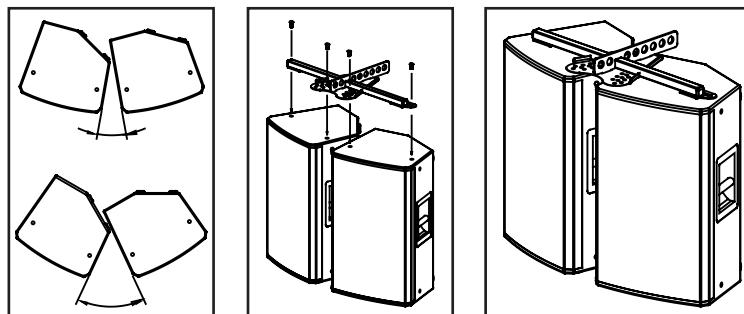
Z series systems dual flying via double flying adapter

Required accessories:

DZ100 (part No. 0200150001)

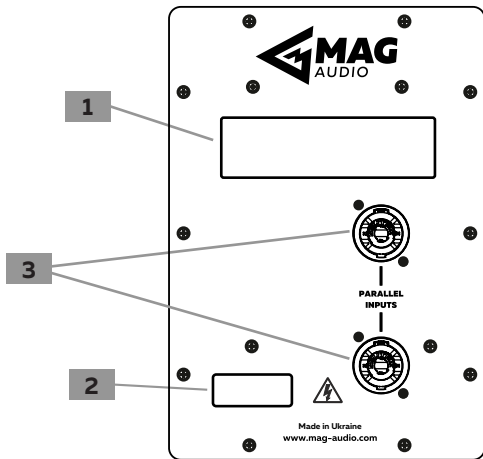
Compact flying of two Z series' cabinets cluster.

- Choose the appropriate splay angle for your Z series' cabinets.
- Secure Z series' cabinets onto the double flying adapter using M10 bolts.
- Mount the assembly using the standard 5/8 inch shackle.
- Use different mounting points of flying adapter to choose different tilt angles.

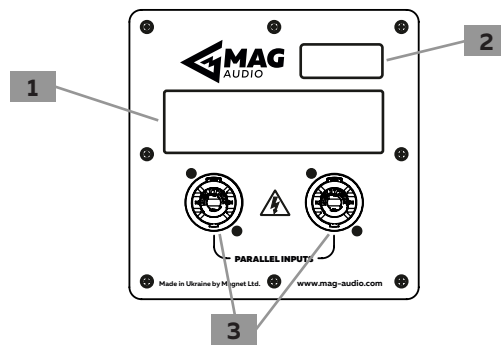


4.2. System operation - passive speakers

Z series passive full-range speaker's connection plate



Z series passive subwoofer's connection plate



1. LABEL FIELD. Name of the system, along with its basic parameters is noted here.
2. SERIAL NUMBER FIELD. Sticker with the systems serial number is located here. NEVER REMOVE THE SERIAL FROM THE SYSTEM, AS IT IS

- IMMEDIATE WARRANTY VOID.
3. PARALLEL INPUTS. The pair of parallel Neutrik® Speakon connectors. Use this connectors to connect power amplifier and to feed the signal to the parallel system (optional).

Z series passive connections

Suggested accessories:

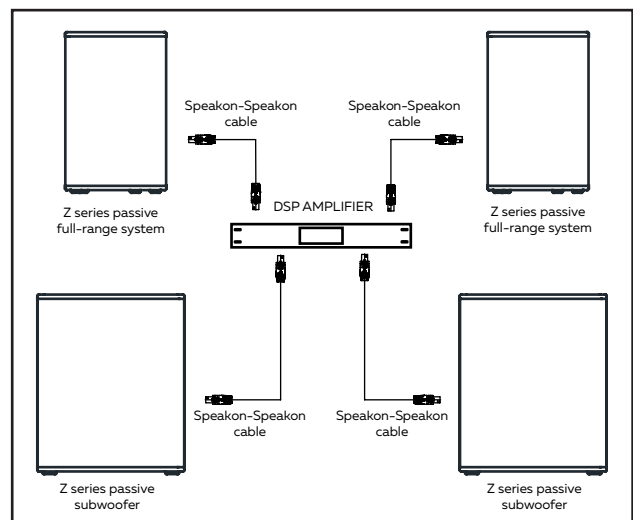
CN-0031 (part No. 0204000010)

CN-0032 (part No. 0204000011)

Use power amplifier with DSP or power amplifiers with external speaker processor with Z series passive systems.

MAKE SURE TO USE HIGH PASS FILTER FOR ALL Z SERIES SYSTEMS TO PREVENT EXCESSIVE CONE MOVEMENT, RESULTING IN TRANSDUCER DAMAGE OR FAST DETERIORATION.

Recommended HPF settings, suggested power amplifier ratings, and connection pins are found in table below:



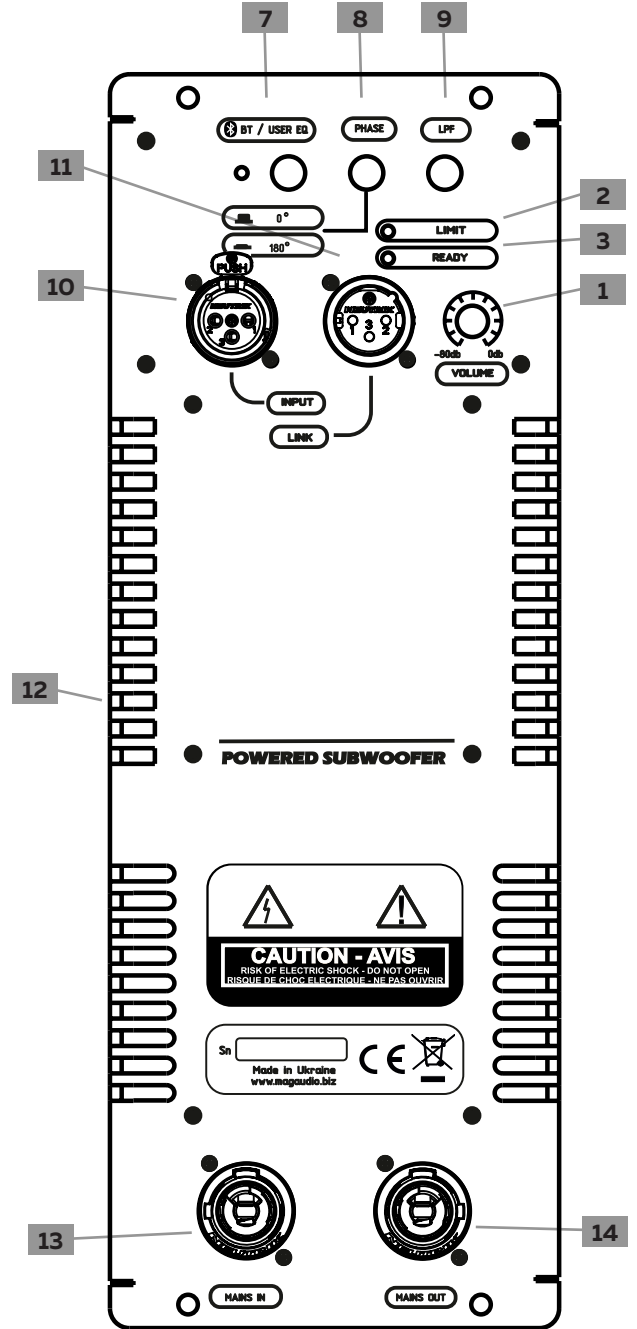
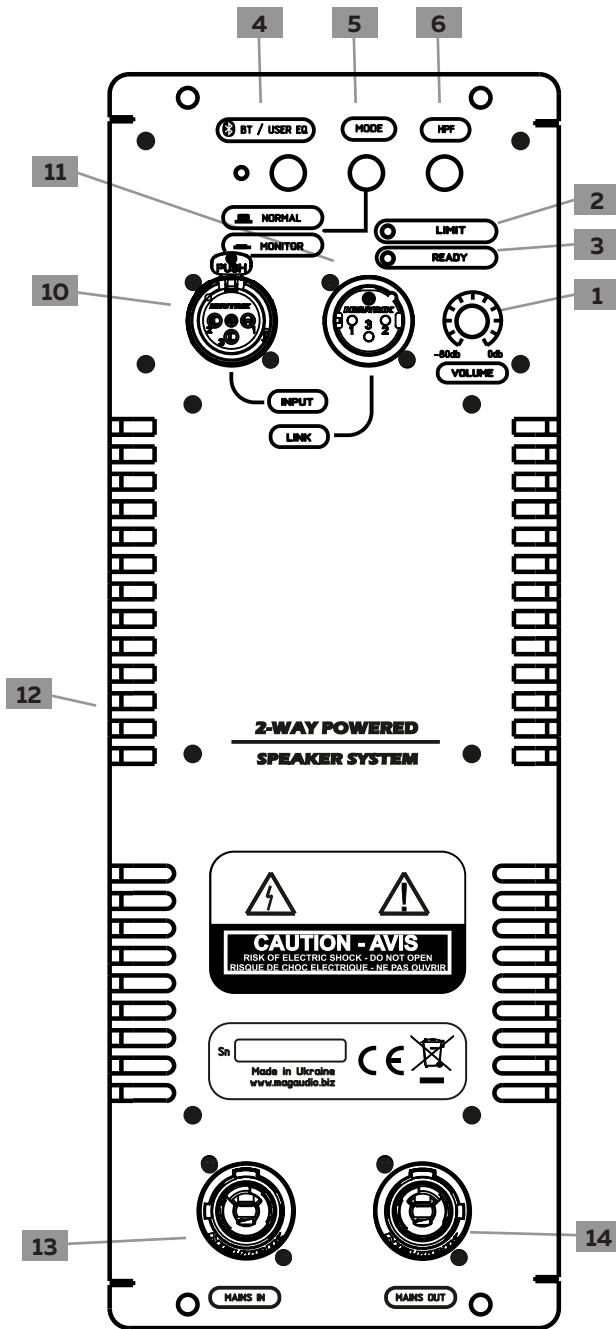
Z series passive connection diagram

System	Amplifier power	Amplifier impedance	Connection pins	Recommended HPF
Z 100	250 - 500 W	8 Ohm	+1 -1	60 Hz or higher, 18 dB/oct min
Z 100-4	250 - 500 W	4 Ohm	+1 -1	60 Hz or higher, 18 dB/oct min
Z 120	250 - 500 W	8 Ohm	+1 -1	55 Hz or higher, 18 dB/oct min
Z 120-4	250 - 500 W	4 Ohm	+1 -1	55 Hz or higher, 18 dB/oct min
Z 150	250 - 500 W	8 Ohm	+1 -1	45 Hz or higher, 18 dB/oct min
Z 150-4	250 - 500 W	4 Ohm	+1 -1	45 Hz or higher, 18 dB/oct min
Z 220	400 - 800 W	8 Ohm	+1 -1	50 Hz or higher, 18 dB/oct min
Z 220-4	400 - 800 W	4 Ohm	+1 -1	50 Hz or higher, 18 dB/oct min
Z 250	400 - 800 W	8 Ohm	+1 -1	45 Hz or higher, 18 dB/oct min
Z 250-4	400 - 800 W	4 Ohm	+1 -1	45 Hz or higher, 18 dB/oct min
Z 155-4	750 - 1500 W	4 Ohm	+1 -1	45 Hz or higher, 18 dB/oct min
Z S12	400 - 800 W	8 Ohm	+1 -1	40 Hz or higher, 18 dB/oct min
Z S12-4	400 - 800 W	4 Ohm	+1 -1	40 Hz or higher, 18 dB/oct min
Z S15	400 - 800 W	8 Ohm	+1 -1	40 Hz or higher, 18 dB/oct min
Z S15-4	400 - 800 W	4 Ohm	+1 -1	40 Hz or higher, 18 dB/oct min
Z S18	450 - 900 W	8 Ohm	+1 -1	35 Hz or higher, 18 dB/oct min
Z S18-4	450 - 900 W	4 Ohm	+1 -1	35 Hz or higher, 18 dB/oct min

4.3. System operation - powered speakers

Z series powered full-range speaker's amplifier

Z series powered subwoofer's amplifier



- 1. VOLUME KNOB. Used for adjusting the volume of the system. Remember to turn the volume down before connecting/ disconnecting INPUT or LINK connectors.
- 2. LIMIT LED. Is lit when limiter is operational, indicating excessive signal through the system.
- 3. READY LED. Is lit when system is fully operational.
- 4. BT/USER EQ BUTTON (Full-range systems). Engages Bluetooth controls on Bluetooth enabled versions. Engages HF boost filter for farfield applications for versions without Bluetooth support.

- 5. MODE BUTTON. Engages the feedback suppression contours for stage monitoring application.
- 6. HPF. Engages the high-pass filter.
- 7. BT/USER EQ BUTTON (Subwoofer systems). Engages Bluetooth controls on Bluetooth enabled versions. Engages custom LF boost for different bass experience for versions without Bluetooth support.
- 8. PHASE BUTTON. Switches the polarity of the subwoofer.
- 9. LPF BUTTON. Engages the low-pass filter.

- 10. INPUT CONNECTOR. Used for connecting the system to the signal source (mixing console etc.)
- 11. LINK CONNECTOR. Used for linking additional compactible system to same signal source.
- 12. HEAT SINK. Do not close the ventilation openings on the heat sink, as it may cause the system to overheat and switch off by itself.
- 13. MAINS IN. Used for connecting mains supply to the system.
- 14. MAINS OUT. Used for feeding the mains supply to the additional system.



4.3. System operation - powered speakers



Mains connection. Z series powered systems are supplied with CN-0010 PowerCon-E/F CEE 7/7 mains cable (part number 0204000003). Use only original or supplied by manufacturer mains cables!

Z series powered systems are equipped with PowerCon B mains power outlets for mains link to additional Z series powered system.

Z series systems nominal mains power specifications: AC 220V, 50/60 Hz.

Nominal voltage tolerance: 100 - 250 V.

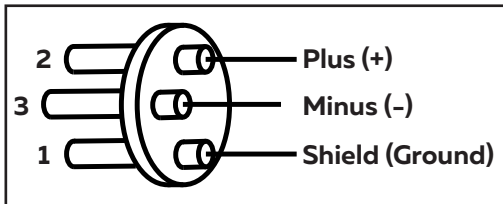
To power the system up, connect the mains cable to the system, then to the power outlet.

To completely power down the system, disconnect the mains cable from the power outlet.

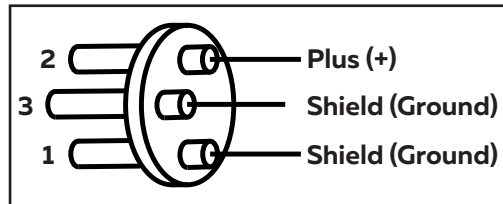
Signal connections. Z series systems are equipped with XLR INPUT and XLR LINK connectors for signal connection.

Use of balanced XLR connector cables is recommended. In case when balanced XLR connections are not available, unbalanced XLR connection is acceptable.

For linking the additional system to the same signal bus LINK connector may be used.



Balanced XLR Plug connections



Unbalanced XLR Plug connections

Amplifier controls. Use several available N series speaker system's amplifier controls to set up the entire system:

BT/User EQ (full-range system): Enables Bluetooth controls for Bluetooth enabled versions. Engages HF boost filter for farfield applications for versions without Bluetooth support.

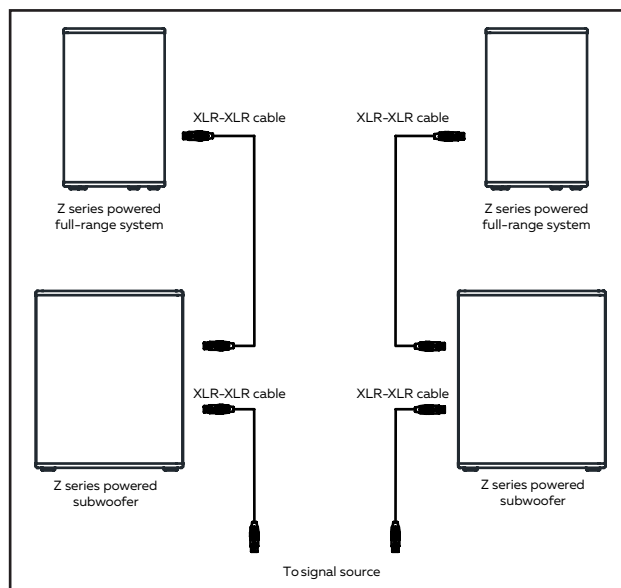
NORMAL/MONITOR MODE. (full-range system): Provides additional microphone feedback suppression for more performance comfort while using as stage monitor.

HPF (full-range system): Provides high-pass filter to seamlessly couple the full-range system with powered subwoofer.

BT/User EQ (subwoofers): Engages Bluetooth controls on Bluetooth enabled versions. Engages custom LF boost to add more "kick" to the system performance.

PHASE (subwoofers): Switches the polarity of the subwoofer for better coupling with the full-range systems for different applications.

LPF (subwoofers): Provides low-pass filter to seamlessly couple the subwoofer with powered full-range system.



Z series powered connection diagram

5. Standard contents

Please check complete complement of your Z series system upon receiving the package.
Standard contents of Z series systems:

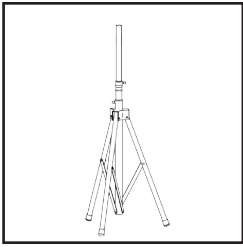


System	Supplied Z series system	Z series User Manual	CN-0010 PowerCon mains cable	Polyethylene bag	Carton Box
Z 100	Z 100 8 Ohm passive speaker system	+		+	+
Z 100-4	Z 100 4 Ohm passive speaker system	+		+	+
Z 100A	Z 100A powered speaker system	+	+	+	+
Z 120	Z 120 8 Ohm passive speaker system	+		+	+
Z 120-4	Z 120 4 Ohm passive speaker system	+		+	+
Z 150A	Z 150A powered speaker system	+	+	+	+
Z 150	Z 150 8 Ohm passive speaker system	+		+	+
Z 150-4	Z 150 4 Ohm passive speaker system	+		+	+
Z 150A	Z 150A powered speaker system	+	+	+	+
Z 220	Z 220 8 Ohm passive speaker system	+		+	+
Z 220-4	Z 220 4 Ohm passive speaker system	+		+	+
Z 220A	Z 220A powered speaker system	+	+	+	+
Z 250	Z 250 8 Ohm passive speaker system	+		+	+
Z 250-4	Z 250 4 Ohm passive speaker system	+		+	+
Z 250A	Z 250A powered speaker system	+	+	+	+
Z 155-4	Z 155 4 Ohm passive speaker system	+		+	+
Z 155A	Z 155A powered speaker system	+	+	+	+
Z S12	Z S12 8 Ohm passive speaker system	+		+	+
Z S12-4	Z S12 4 Ohm passive speaker system	+		+	+
Z S12A	Z S12A powered speaker system	+	+	+	+
Z S15	Z S15 8 Ohm passive speaker system	+		+	+
Z S15-4	Z S15 4 Ohm passive speaker system	+		+	+
Z S15A	Z S15A powered speaker system	+	+	+	+
Z S18	Z S18 8 Ohm passive speaker system	+		+	+
Z S18-4	Z S18 4 Ohm passive speaker system	+		+	+
Z S18A	Z S18A powered speaker system	+	+	+	+

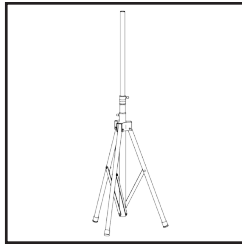
6. Accessories



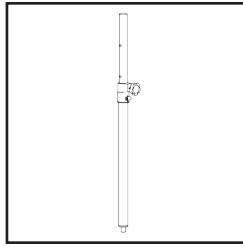
Various accessories are available for Z series systems:



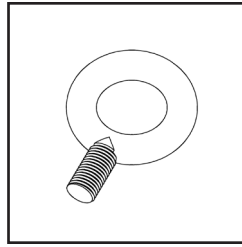
N-BOX-5 speaker stand
Part No. 0209000015



N-BOX-4 speaker stand
Part No. 0209000016



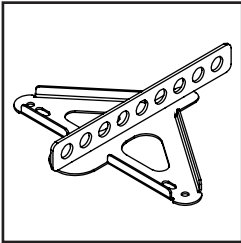
SAT-3T M20 Distance pole
Part No. 0209000020



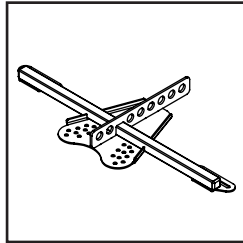
VA-0016 M10 Rigging eyebolt
Part No. 0209000018



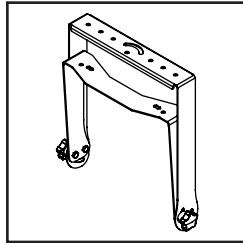
BOX-CB2 Bag for two speaker stands
Part No. 0209000017



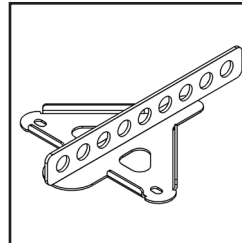
AZ150 flying bracket
Part No. 0200150000



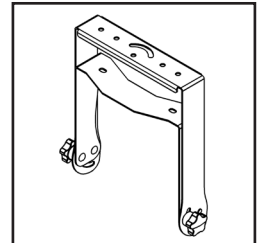
DZ150 double flying bracket
Part No. 0200150001



LZ150 rotation bracket
Part No. 0200150002



AZ100 flying bracket
Part No. 0200150000



LZ100 rotation bracket
Part No. 0200150004



- Z100-TB - Z 100, Z 100-4, Z 100A transportation bag Part No. 0203500055
- Z120-TB - Z 120, Z 120-4, Z 120A transportation bag Part No. 0203500057
- Z150-TB - Z 150, Z 150-4, Z 150A transportation bag Part No. 0203500059
- Z220-TB - Z 220, Z 220-4, Z 220A transportation bag Part No. 0203500061
- Z250-TB - Z 250, Z 250-4, Z 250A transportation bag Part No. 0203500063
- Z155-TB - Z 155-4, Z 155A transportation bag Part No. 0203500065
- ZS12-TB - Z S12, Z S12-4, Z S12A transportation bag Part No. 0203500067
- ZS15-TB - Z S15, Z S15-4, Z S15A transportation bag Part No. 0203500069
- ZS18-TB - Z S18, Z S18-4, Z S18A transportation bag Part No. 0203500071



This page has been intentionally left blank

MANUFACTURER'S WARRANTY



1. By this warranty MAG Audio grants that all equipment manufactured under the MAG Audio trademark is free from defects in material, components and factory workmanship under the normal use and maintenance for the time as specified below.
2. All warranty repairs and maintenance of MAG Audio products shall be carried out at MAG Audio production sites or by MAG Audio authorized personnel at no cost for the product purchaser.
3. Warranty period for all the MAG Audio products is 36 months from the date of purchase.
4. Warranty repairs or maintenance will be performed only if a) MAG Audio product was purchased from an official MAG Audio distributor / dealer and b) warranty card with specified serial number, production date, realization date, vendor's signature and stamp is presented.
5. Warranty shall not cover following: damage caused by accident, misuse or failure to follow exploitation rules stated in technical manual; intentional damage; repairs performed by non-authorized personnel; mechanical damage caused by shipping accidents and normal tear and wear.
6. Warranty shall not be applicable to any product with defaced, removed, or modified serial number.
7. If your MAG Audio product needs repairs or maintenance, contact your official MAG Audio distributor / dealer. Please do not ship your MAG Audio product without prior authorization.

MANUFACTURER'S CONTACTS

2 Merezhna street, Bila Tserkva, Kiev region, 09112, Ukraine
Tel.\Fax: +38 044 277 47 89
e-mail: info@mag-audio.com
www.mag-audio.com

YOUR MAG AUDIO DISTRIBUTOR / DEALER

Company

Contact
person

Coordinates