

# Z 320

## Passive full-range speaker

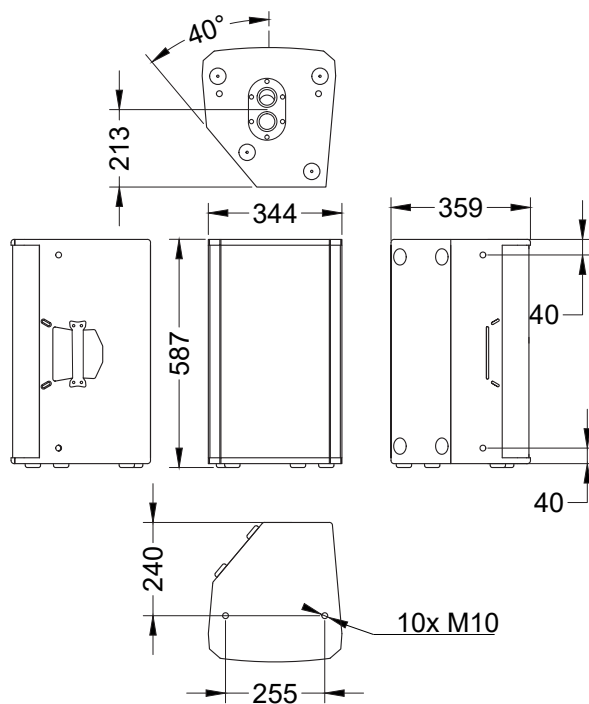
Z series has been designed for small and medium-sized spaces, be that indoor or outdoor venue. Versatile and reliable loudspeakers with professional sound quality and modern looks, Z series speakers are suitable for a wide variety of applications while keeping budget considerations in check. Full-range cabinets' design allows using them for stage monitoring, greatly extending the range of possible applications of Z series.

Featuring low-wear cabinet coating, high-quality components and thoroughly worked out sonic performance, Z series competes with speakers way beyond their price range.

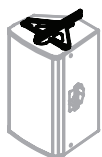
Z 320 is a compact passive 12"x1" speaker, designed for both FOH sound and stage monitoring purposes. Equipped with angle-adjustable pole mount adapter and M10 mounting points, Z 320 is a versatile solution for many sound reinforcement applications.



### DIMENSIONS



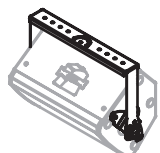
### ACCESSORIES



**AZ320**  
Flying adapter for Z 320



**LZ320**  
Double bracket for Z 320



**HZ320**  
Horizontal bracket for Z 320

### SPECIFICATIONS

Frequency Response (-10dB)	50 - 20000 Hz
Max SPL <sup>1</sup>	130,5 dB
Sensitivity (1W/1m)	96 dB
LF Driver	12", 2,5" VC
HF Driver	1", 1,75" VC
Nominal Coverage Angle (H x V)	100 x 50 deg
Impedance	8 Ohm (Z 320-8-BK) 4 Ohm (Z 320-4-BK)
Nominal power <sup>2</sup>	350 W
Connectors	2x Neutrik Speakon
Dimensions (W×H×D), mm	344x587x359 mm
Net weight, kg	16,6 kg
Shipping weight, kg	19,1 kg
Mounting	10x M10 mounting points, 35mm double pole socket
Enclosure material	Plywood, wear-resistant paint
Speaker protection	Steel grill, acoustically transparent backing

<sup>1</sup> - pink noise, filtered according to AES 2 - 2012, crest factor 9 dB  
<sup>2</sup> - based on transducer power measured according to AES 2 - 2012

### CONNECTIONS

Use Hi-pass filter to prevent speaker damage and distorted sound by eliminating low non-audible frequencies in input signal.

Do not exceed input power ratings mentioned in specifications while exploiting the speaker system.

Speaker system comes with two Neutrik® Speakon heavy duty sockets for easy connection.

Signal +	1 +
Signal -	1 -
High pass filter:	
Freq, no less than	45 Hz
Order, no less than	18 dB/oct
Recommended amplifier power	350 - 700 W on nominal impedance

### SAFETY INSTRUCTIONS

- Do not pour liquids on speaker system - this may cause driver cone destruction and unappealing speaker appearance. Do not allow direct sunlight on speaker cone in order to prevent premature failure. Do not install speaker system near open flames or heating elements.
- Do not use speaker system with damaged speakON or speaker cable so as not to cause electric shock hazard or fire hazard.
- Make sure speaker system is firmly set up on the floor, stage, or wall (where applicable).
- While setting speaker system up onto an angled or slippery surface, make the necessary arrangements to avoid vibration-induced movement.
- Speaker system is capable of delivering significant sound pressure levels. To avoid permanent or temporary hearing damage, prolonged exposure to sound pressure levels exceeding 90 dB should be limited.