

# WASP-S18

## Passive subwoofer

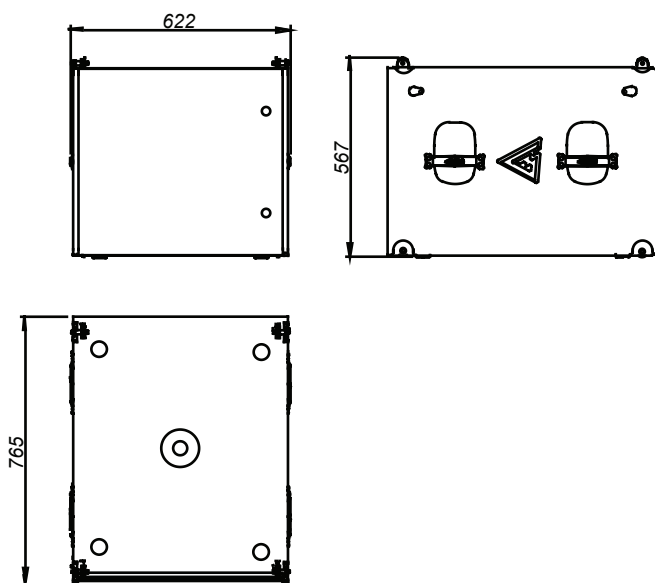
WASP has received the most advanced components to assist with task of creating the ultimate compact line-array solution. Thoroughly designed cabinets, most advanced proprietary mounting system, and wide selection of mounting and connectivity accessories was called in to provide the fast mounting\dismounting times, as well as ease of transportation and storage.

Complete amplification solution is available for WASP as well. Ready-to-go touring racks are fitted with signal and power distribution, and are based on state-of-the-art touring amplifiers from Powersoft®. WASP system's usability is further extended with available presets as well as GLL files for fast system performance prediction.

Purpose-made WASP-S18 has been designed to be a reliable low-frequency support for WASP line array. Based on 18" LF woofer, the system delivers 141 dB of sound pressure. Featuring specifically designed integrated hardware, WASP-S18 can be used both in a stack or in a flown cluster.



### DIMENSIONS



### SPECIFICATIONS

Frequency response (-10dB)	32 – 200 Hz
Max SPL <sup>1</sup>	141 dB
Sensitivity (1W/1m)	98 dB
LF Transducer	18", 4" VC
Impedance	8 Ohm
Nominal power <sup>2</sup>	1300 W
Connectors	4x Neutrik Speakon
Dimensions (WxHxD)	622x567x765 mm
Net weight	47,8 kg
Shipping weight	50,8 kg
Mounting	Integrated flying hardware, M20 distance pole adapter
Enclosure materials	Plywood; wear-resistant paint
Grill	Steel grill, synthetic acoustically transparent cloth
<sup>1</sup> - peak value, calculated according to AES 2 - 2012	
<sup>2</sup> - based on transducer power measure according to AES 2 - 2012	

### CONNECTIONS

Use Hi-pass filter to prevent speaker damage and distorted sound by eliminating low non-audible frequencies in input signal.

Do not exceed input powers, abovementioned in specifications, while exploiting the speaker system.

Speaker system comes with two Neutrik® Speakon heavy duty sockets for easy connection.

### SAFETY INSTRUCTIONS

1. Do not pour liquids on speaker system - this may cause driver cone destruction and unappealing speaker appearance. Do not allow direct sunlight on speaker cone - this will reduce its resource dramatically. For fire safety do not install speaker system near open flames or heating elements.

2. Do not use speaker system with damaged speakON or speaker cable - this is an electric shock hazard and fire hazard.

3. Make sure speaker system is firmly set up on the floor, stage, or wall (where applicable).

4. While setting speaker system up on the inclined or slippery surface, make necessary arrangements to avoid its movement due to its vibration.

5. Speaker system is capable of delivering significant sound pressure levels. To avoid permanent or temporary hearing damage, prolonged exposure to sound pressure levels exceeding 90 dB should be limited.

Connection	
Signal normal +	1 + Rear
Signal normal -	1 - Rear
Link	2 + Rear
Link	2 - Rear
Signal inverted +	2 + Front
Signal inverted -	2 - Front
Link	1 + Front
Link	1 - Front
High pass filter:	
Frequency, no less than	30 Hz
Order, no less than	18 dB/oct
Recommended amplifier power	1300 - 2600 W on nominal impedance